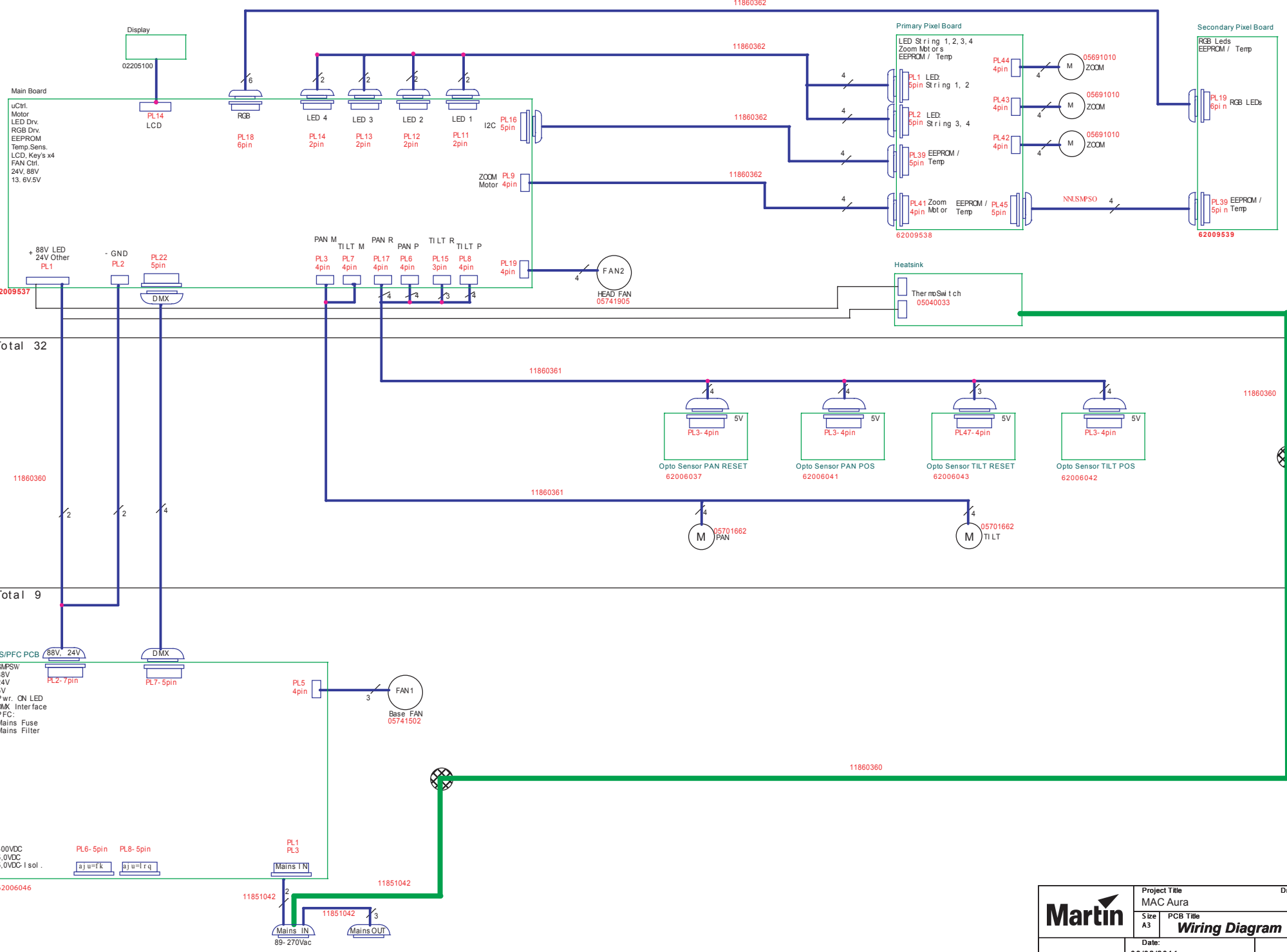


MAC Aura Main Connection

HEAD

YOKE

BASE



	Project Title	MAC Aura	Drawn By	C K P
	Size	A3	PCB Title	Wiring Diagram
Sheet	1	of	1	Date:
				08/02/2011
				Rev
				0.6